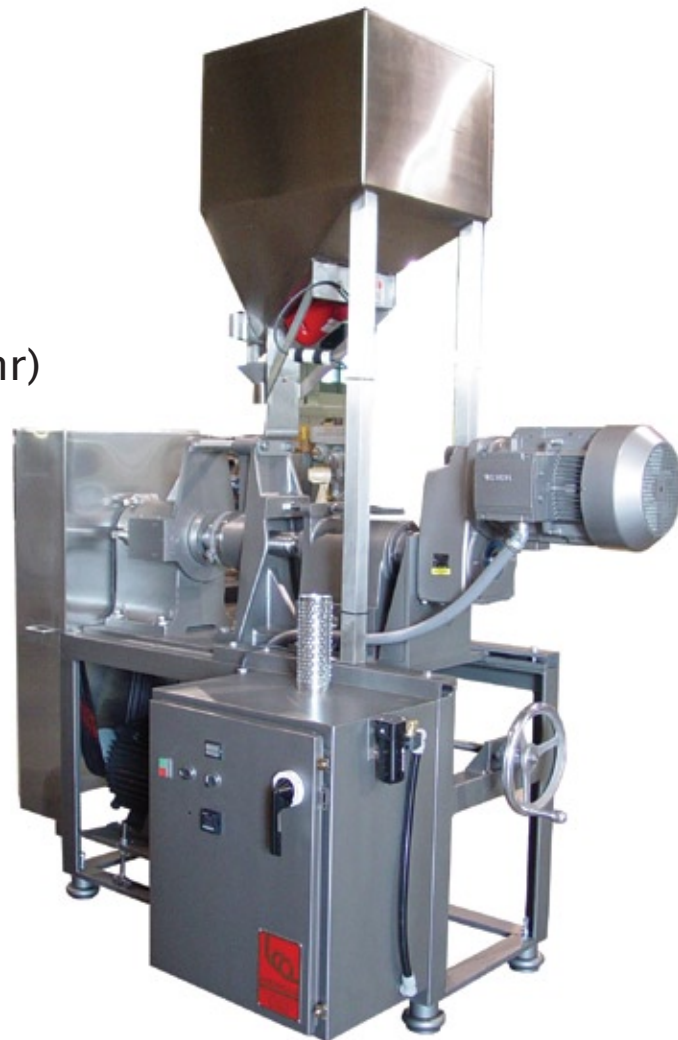




850F FRY TYPE EXTRUDER

Produces 440 lbs (200 kg/hr)
of Crunchy Collets

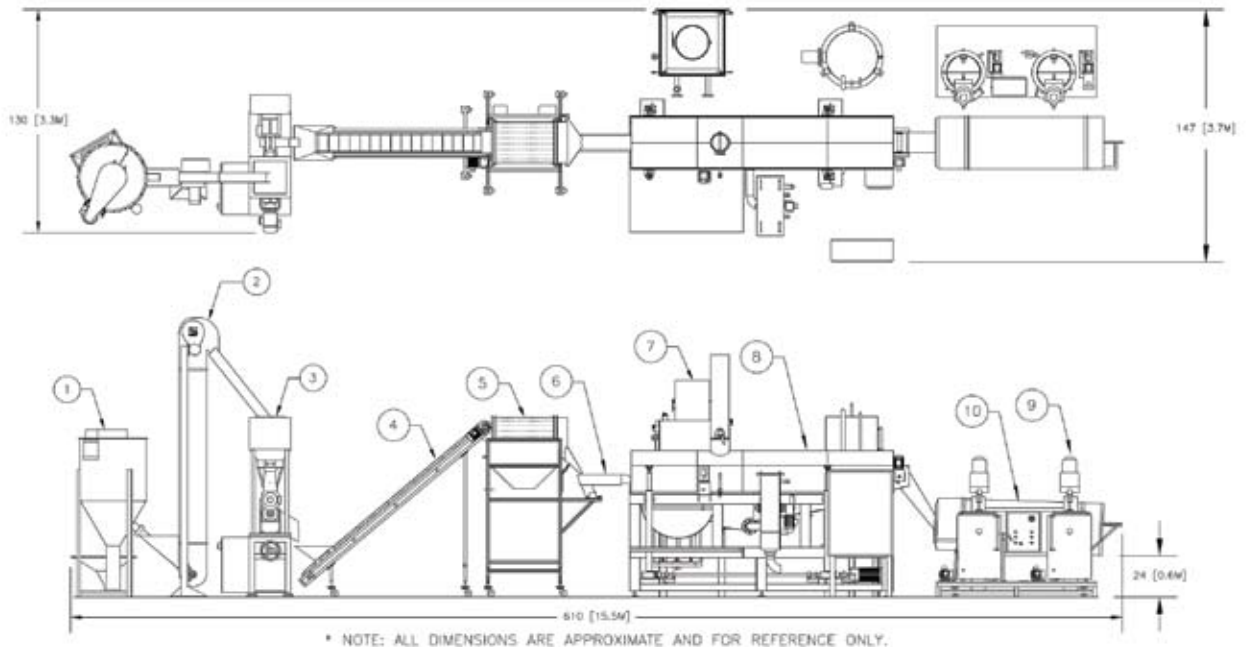


The originators and innovators of extrusion technology since 1933 is proud to introduce the 850F Rotary Head Extruder. This extruder forms the highest quality extruded collets from corn, rice, lentils peas and potato.

AMERICAN EXTRUSION INTERNATIONAL

498 Prairie Hill Road ■ South Beloit ■ Illinois ■ 61080 ■ USA ■ Tel (815) 624-6616 ■ Fax (815)624-6628 ■ www.americanextrusion.com

Fry Type Extruder



1. Vertical Meal Mixer
2. 13' Bucket Elevator
3. 850F Rotary Head Extruder
4. 12' x 12" Cleated Incline Conveyor
5. Fines Removal Tumbler
6. Magnetic Infeed Feeder
7. Vertical Coil Heat Exchanger
8. RF 200 Rotary Fryer
9. Dual 40 Gal. Melting Units
10. Coating Tumbler

- Gravity feed hopper with vibrator for metered flow of raw materials.
- Speed control of the feed screw via the inverter (included).
- Manual head gap controlled by mechanical ratchet.
- Table slides back via hand crank for easy adjustment of feed screw and easy access to extruder components.